



IMPERIAL POST

Instruction Manual

Model: GS-97-SP



Introduction

Thank you for your purchase. GAMA SONIC® solar charged lighting eliminates the problems associated with most solar lighting available today. GAMA SONIC® solar charged lights are brighter and last all night with a full day solar charge. Unique design, superior light output and numerous installation options confirm the outstanding value of our product.

GAMA SONIC® has been recognized as a worldwide leader in the lighting industry for over 20 years. The company also offers unique multi-purpose rechargeable products that range from party lights to emergency lighting products.

For technical assistance and more information call our Toll Free number:
800-835-4113 (only within the US)

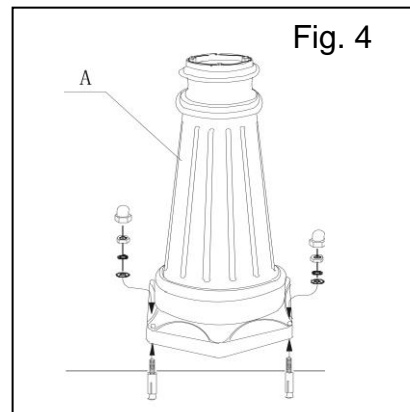
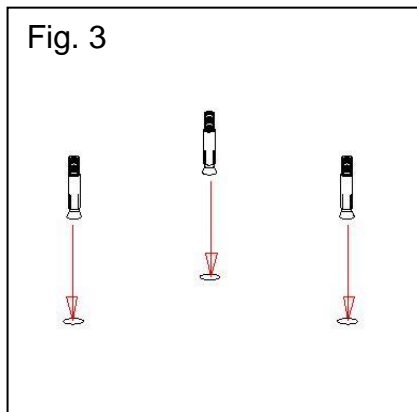
Visit our website or download the latest version of your instruction manual:

www.gamasonic.com Or www.gamasonic.com/user-guides

Please read the instruction manual carefully to obtain the best results from your purchase.

Assembly Instructions

1. Mark three holes using the template and drill the holes using a 0.5-inch drill bit, into a solid surface no smaller than the fastening screws. The holes shall be lined up with the holes of the lamp base
2. Put the fastening screws (included) into the drilled holes with their threaded ends facing up (**Fig 3**).
3. Place lamp base onto fastening screws and secure base with the nuts using a wrench (**Fig 4**).
4. Make sure the lamp base (A) is stable before proceeding in installation.



5. Place part (B) over part (A) and using a wrench tighten the three screws that are provided. Make sure that the rubber washers go between part (A) and part (B) (**Fig 5**).
6. Place part (C) over part (B) and tighten with a Philips head screwdriver the four screws that are provided (**Fig 6**).

